

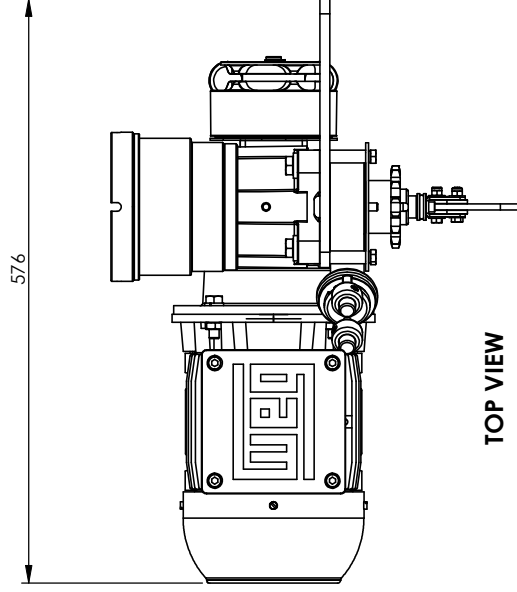
MOTOR

MOTOR TYPE	3-PHASE INDUCTION		
POWER OUTPUT	750W / 1HP	FREQUENCY	PHASES
SUPPLY	415 V	50Hz	3
CAPACITOR (µF/V)	START	RUN	
	NIL	NIL	
ENCLOSURE	TOTALLY ENCLOSED EXD IP55		
SPEED (RPM)	1430		
ROTATION	REVERSIBLE		
INSULATION CLASS	F		
DUTY	HIGH CYCLE RATED		
OPERATION/HOUR	CONTINUOUS		
STARTS/HOUR	10		
PROTECTION	N/A		
MOTOR CURRENT	1.8 A		
APPLICATION	WORM DRIVE		
MOUNTING	4 x M10x35 HEX HD SET SCREWS & NUTS		
BEARINGS	PRE-PACKED DEEP GROOVE BALL		
	6204ZZ & 6205ZZ		
EARTH PROVISION	VIA TERMINAL BOX		
FINISH	GLOSS RED ENAMEL		
COUPLING	1/4" STEEL KEY		
WEIGHT	32KG		

GEARBOX

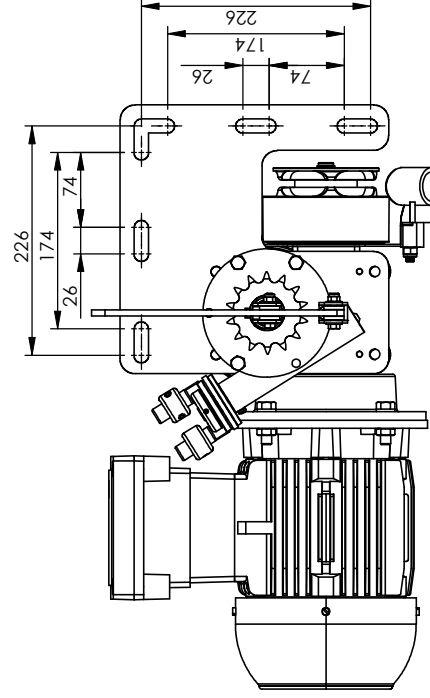
HOUSING	PRESSURE DIE CAST 404 ALLOY
GEARING	HIGH TENSILE STEEL AND BRONZE
OUTPUT BEARINGS	DEEP GROOVE 6207
WORM BEARINGS	DEEP GROOVE 6006
OUTPUT SEALS	NITRILE 35x45x7 SINGLE LIPPED
WORM SEALS	VITON 30x42x7 SINGLE LIPPED
LUBRICATION	MOLY-LITHIUM SEMI-FLUID GREASE
REDUCTION	WORM AND WHEEL (45:1)
INPUT SPEED	1430 RPM
OUTPUT SPEED	42 RPM
GEARBOX FINISH	PLAIN DIE CAST OUTER
WEIGHT	45KG INCL MOTOR
TORQUE @ 29 RPM	164 Nm @ 60% EFFICIENCY
MOUNTING BOLTS	4 x M12 x45mm
IP CODE	IP66
OUTPUT SHAFT	31.75mm 8mm KEY
LIMIT SWITCHES	
MECHANISM	2 x CAM ACTUATED MICRO SWITCHES
RATIO	50:1 FROM OUTPUT SHAFT
SPEED	0.61 RPM
MAX OUTPUT SHAFT TURNS	APPROX 45 TURNS

PART NUMBER: 58018F

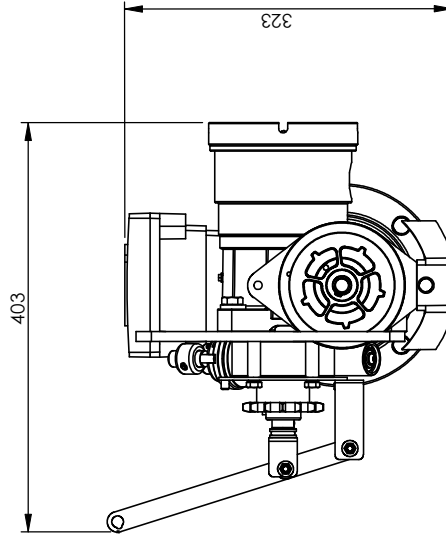


TOP VIEW

3 PHASE 0.75kW/1hp FLAMEPROOF OPERATOR



FRONT VIEW
LEFT HAND UNIT SHOWN ABOVE



END VIEW

PART NUMBER: 58018F

SPECIFICATIONS

ALL DIMENSIONS IN mm
UNLESS SPECIFIED

THIS DRAWING REMAINS THE PROPERTY
OF CHAMBERLAIN AUSTRALIA PTY LTD
AND CANNOT BE COPIED OR ISSUED
WITHOUT WRITTEN PERMISSION

CHAMBERLAIN
GRIFCO

Chamberlain Australia
ABN 67 118 013 362
15 Dell Rd (PO BOX 6106)
West Gosford 2250
PH (02) 43233877 FAX (02) 43233882
e-mail production@grifco.com.au

Scale NTS

APPROXIMATE
DIMENSIONS